

JUMO GmbH & Co. KG
 Delivery address: Mackenrodtstraße 14,
 36039 Fulda, Germany
 Postal address: 36035 Fulda, Germany
 Phone: +49 661 6003-0
 Fax: +49 661 6003-607
 e-mail: mail@jumo.net
 Internet: www.jumo.net

JUMO Instrument Co. Ltd.
 JUMO House
 Temple Bank, Riverway
 Harlow, Essex CM20 2DY, UK
 Phone: +44 1279 635533
 Fax: +44 1279 635262
 e-mail: sales@jumo.co.uk
 Internet: www.jumo.co.uk

JUMO Process Control, Inc.
 8 Technology Boulevard
 Canastota, NY 13032, USA
 Phone: 315-697-JUMO
 1-800-554-JUMO
 Fax: 315-697-5867
 e-mail: info@jumo.us
 Internet: www.jumo.us



JUMO Wtrans probe RTD temperature probe with wireless transmission of the measured values



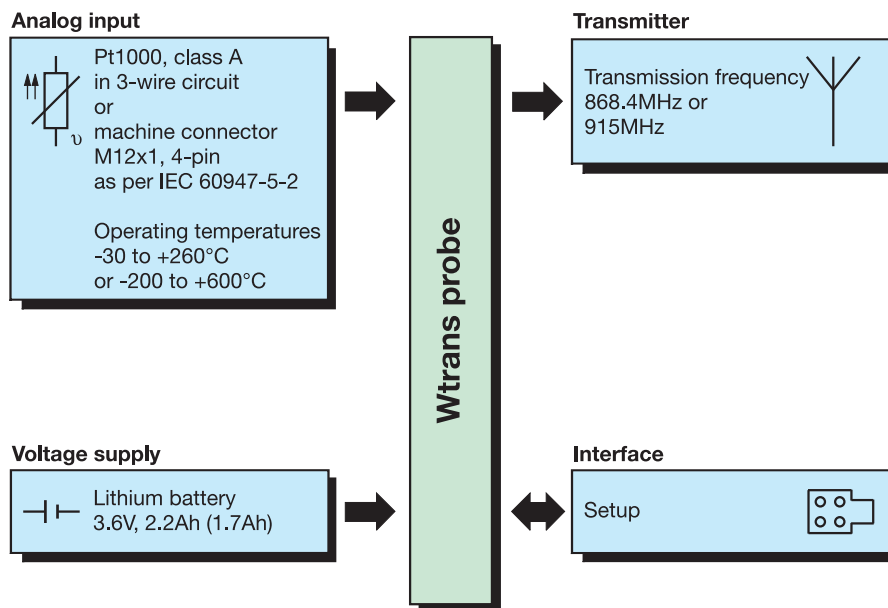
Basic type 902930/10

- For operating temperatures between -30 to +260 °C or -200 to +600 °C
- For mobile or stationary temperature measurement
- Open air range 300 m
- No wiring work due to state-of-the-art wireless technology
- Fail-safe transmission through telegram frame coding

Wtrans probes are used in connection with corresponding Wtrans receivers for mobile or stationary temperature measurement within the application range of -30 to +260 °C or -200 to +600 °C. The ambient handle temperature must be between -30 to +85 °C (-25 to +125 °C). The measured temperature value is transmitted wireless to the receiver of the Wtrans system, displayed on the system and provided on the Wtrans receiver as a digital RS485 interface and analog outputs and/or relay outputs. The radio frequency within the ISM band (Industrial, Scientific and Medical Band) is 868 MHz or 915 MHz. These frequencies are almost insensitive to external interferences and allow transmission even in a rough industrial environment. When using the antenna wall holder with the 3 m long cable for the receiver, the open air range is 300 m. The RTD temperature probe transmitter is fitted in the oil-resistant and acid-proof handle. The system is of a vibration proof design.

The protection rating is IP67. The stainless steel sheath is available with flat, oblique or concentric insertion tip. The fitting length is between 50 to 1000 mm (10000 mm). The measuring insert is equipped with a Pt1000 temperature probe as per DIN EN 60751, class A in 3-wire-circuit as a standard. The 902930/50 and 902930/60 basic type is additionally equipped with a stainless steel neck pipe and an M 12 connector for the attachment of Pt1000 RTD temperature probes. Power Supply to the Wtrans temperature probe is provided by a 3.6 V lithium battery.

Block diagram



Suitable Wtrans receivers

- Max. 16 Wtrans probes per Wtrans receiver
 - Low wiring work due to modern radio technology
 - Radio frequency 868.4 MHz or 915 MHz; in the 915 MHz frequency band, ten frequencies can be configured
 - Interface RS485 with Modbus protocol
 - Four analog outputs 0(4) to 20 mA / 0 to 10 V or two analog outputs 0(4) to 20 mA / 0 to 10 V and two relay outputs AC 230 V
 - For fitting on a DIN rail 35 mm x 7.5 mm as per DIN EN 60715
- For further information refer to data sheet 90.2931

Approval/approval marks (see Technical Data)



JUMO GmbH & Co. KG
 Delivery address: Mackenrodtstraße 14,
 36039 Fulda, Germany
 Postal address: 36035 Fulda, Germany
 Phone: +49 661 6003-0
 Fax: +49 661 6003-607
 e-mail: mail@jumo.net
 Internet: www.jumo.net

JUMO Instrument Co. Ltd.
 JUMO House
 Temple Bank, Riverway
 Harlow, Essex CM20 2DY, UK
 Phone: +44 1279 635533
 Fax: +44 1279 635262
 e-mail: sales@jumo.co.uk
 Internet: www.jumo.co.uk

JUMO Process Control, Inc.
 8 Technology Boulevard
 Canastota, NY 13032, USA
 Phone: 315-697-JUMO
 1-800-554-JUMO
 Fax: 315-697-5867
 e-mail: info@jumo.us
 Internet: www.jumo.us



Technical Data

Analog input

Measuring input	Pt1000 as per DIN EN 60751, in 3-wire-circuit
Operating temperature range	-30 to +260 °C for basic type 902930/10 and 902930/20 -50 to +600 °C for basic type 902930/12 and 902930/22 -200 to +600 °C for basic type 902930/50 and 902930/60 (relating to the sheath up to approx. 20 mm below the handle)
Temperature probe accuracy	Class A $\pm(0.15 \text{ K} + 0.002 \times \text{Itl})$ Itl = measured temperature in °C without prefix
Probe lead resistance	$\leq 11 \text{ Ohm}$ per lead with 3-wire circuit
Probe current	$\leq 500 \mu\text{A}$
Measuring circuit monitoring	Detection of probe break and short-circuit

Output (radio transmission)

Probe ID	max. 5-digit ID, factory-set, can be configured customer-specific
Transmission interval	adjustable from 1 to 3600 s; factory setting for basic type 902930/10, 902930/12 and 902930/50 = 10 s factory setting for basic type 902930/20, 902930/22 and 902930/60 = 15 s
Transmission frequency	ISM band 868.4 MHz (Europe); 915 MHz (America, Australia, Canada and New Zealand); Ten frequencies can be set in the 915 MHz frequency band.
Transmission capacity	< + 10 dBm
Open air range	300 m for 868.4 MHz, 100 m for 915 MHz and when using the antenna wall holder for the receiver and the 3 m long antenna cable. When installing the antenna directly onto the receiver, a reduced range of approx. 40 % must be taken into account.
Output signal	882.2 to 1977.1 Ohm Δ -30 ... +260 °C; 185.2 to 3137.1 Ohm Δ -200 ... +600 °C;
Response time of the complete probe	$t_{0.9} \leq 10 \text{ s}$
Calibration accuracy of the electronic components	$\leq \pm 0.05 \%$ ¹
Configuration	with setup program
configurable parameters	Probe ID (max. 5-digit ID), transmission interval, transmission frequency (with 915 MHz only)

Voltage supply

Lithium battery	Voltage: 3.6 V, Rated capacity: 2.2 Ah for basic type 902930/10, 902930/12 and 902930/50; Voltage: 3.6 V, Rated capacity: 1.7 Ah for basic type 902930/20, 902930/22 and 902930/60
Operating life	approx. 1 year with the factory-set values and at room temperature (a fast transmission interval and a high or low ambient temperature reduce the lithium battery operating life)
Battery change	only use the pre-converted lithium battery available as accessories

Environmental influences

Ambient temperature range, handle	-30 to +85 °C (handle including electronics) for basic type 902930/10, 902930/12 and 902930/50 -25 to +125 °C (handle including electronics) for basic type 902930/20, 902930/22 and 902930/60
Storage temperature range	-40 to +85 °C (handle including electronics) for basic type 902930/10, 902930/12 and 902930/50 -40 to +125 °C (handle including electronics) for basic type 902930/20, 902930/22 and 902930/60
Temperature coefficient	$\leq \pm 0.0025 \%$ ¹ /K; per K deviation from the reference temperature 22 °C ($\pm 3 \text{ K}$) (handle)
Ambient conditions	rel. humidity $\leq 95 \%$ w/o condensation as per IEC 68-2-30
Vibration proof design	max. 2 g at 10 to 2000 Hz (relating to the handle including electronics) as per DIN IEC 60068-2-6
Admissible mechanical shock resistance	25 g/6 ms (relating to the handle including electronic components) IEC 68-2.29 per 1000 cycles
EMC	DIN EN 61326-1
- emitted interference	Class A - For industrial applications only -
- interference resistance	Industrial requirements
- radio frequency spectrum	ETSI EN 300 220-1 and ETSI EN 300 220-2

¹ All accuracy specifications in % relating to the measuring range of 290 K or 800 K.

JUMO GmbH & Co. KG
 Delivery address: Mackenrodtstraße 14,
 36039 Fulda, Germany
 Postal address: 36035 Fulda, Germany
 Phone: +49 661 6003-0
 Fax: +49 661 6003-607
 e-mail: mail@jumo.net
 Internet: www.jumo.net

JUMO Instrument Co. Ltd.
 JUMO House
 Temple Bank, Riverway
 Harlow, Essex CM20 2DY, UK
 Phone: +44 1279 635533
 Fax: +44 1279 635262
 e-mail: sales@jumo.co.uk
 Internet: www.jumo.co.uk

JUMO Process Control, Inc.
 8 Technology Boulevard
 Canastota, NY 13032, USA
 Phone: 315-697-JUMO
 1-800-554-JUMO
 Fax: 315-697-5867
 e-mail: info@jumo.us
 Internet: www.jumo.us



Case

Material	PEI (Polyetherimid)
Flammability class	UL 94 HB
Dimensions	Diameter approx. 32 mm, length approx. 126 mm for all basic types Sheath fitting length 50 to 1000 mm for basic type 902930/10, 902930/12, 902930/20 and 902930/22 Sheath fitting length 50 to 10000 mm for basic type 902930/12 and 902930/22
Protection class	IP67 as per DIN EN 60529 for basic type 902930/10, 902930/12, 902930/20 and 902930/22 for basic type 902930/50 and 902930/60 only with the machine connector M 12x1 connected
Mounting orientation	any
Weight	approx. 120 g

Approvals/Approval marks

Approval marks	Inspection authority	Certificates/certification numbers	Inspection basics	valid for
c UL us	Underwriters Laboratories	E201387-A1-UL-1	UL 61010-1 CAN/CSA-22.2 No. 61010-1	3.6V, Basic type 902930/10
IC	Industry Canada	7472A-WTRANST01 7472A-WTRANST0102	RSS210 Issue 7 RSS210 Issue 8	915 MHz
FCC	Federal Communications Commission	VT4-WTRANST01 VT4-WTRANST01-02	FCC Rule Part 15C	915 MHz

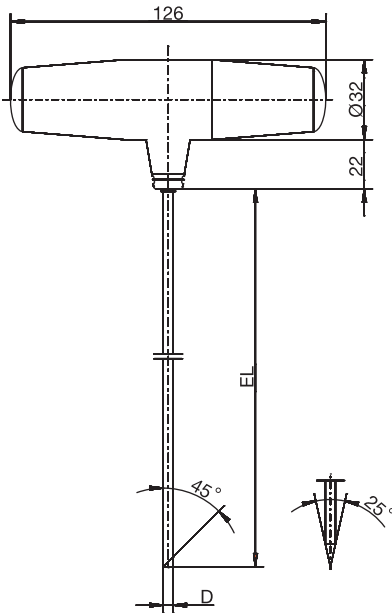
JUMO GmbH & Co. KG
 Delivery address: Mackenrodtstraße 14,
 36039 Fulda, Germany
 Postal address: 36035 Fulda, Germany
 Phone: +49 661 6003-0
 Fax: +49 661 6003-607
 e-mail: mail@jumo.net
 Internet: www.jumo.net

JUMO Instrument Co. Ltd.
 JUMO House
 Temple Bank, Riverway
 Harlow, Essex CM20 2DY, UK
 Phone: +44 1279 635533
 Fax: +44 1279 635262
 e-mail: sales@jumo.co.uk
 Internet: www.jumo.co.uk

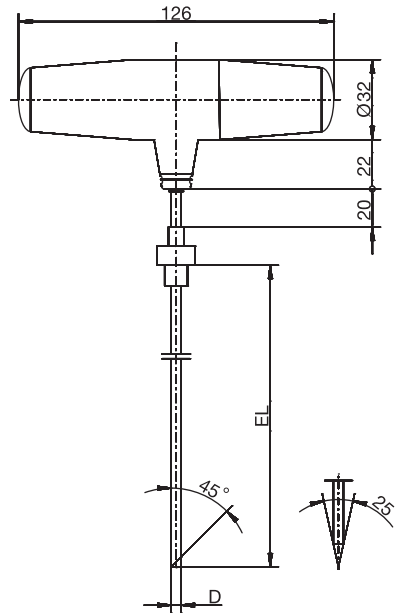
JUMO Process Control, Inc.
 8 Technology Boulevard
 Canastota, NY 13032, USA
 Phone: 315-697-JUMO
 1-800-554-JUMO
 Fax: 315-697-5867
 e-mail: info@jumo.us
 Internet: www.jumo.us



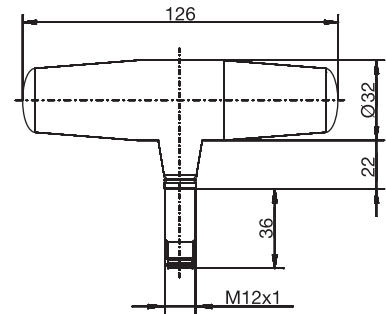
Dimensions



Basic type 902930/10
 Basic type 902930/12
 Basic type 902930/20
 Basic type 902930/22



Basic type 902930/10
 with process connection
 Basic type 902930/12
 with process connection
 Basic type 902930/20
 with process connection
 Basic type 902930/22
 with process connection



Basic type 902930/50 with M 12 connector
 Basic type 902930/60 with M 12 connector

JUMO GmbH & Co. KG
 Delivery address: Mackenrodtstraße 14,
 36039 Fulda, Germany
 Postal address: 36035 Fulda, Germany
 Phone: +49 661 6003-0
 Fax: +49 661 6003-607
 e-mail: mail@jumo.net
 Internet: www.jumo.net

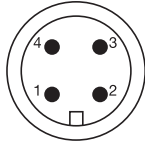
JUMO Instrument Co. Ltd.
 JUMO House
 Temple Bank, Riverway
 Harlow, Essex CM20 2DY, UK
 Phone: +44 1279 635533
 Fax: +44 1279 635262
 e-mail: sales@jumo.co.uk
 Internet: www.jumo.co.uk

JUMO Process Control, Inc.
 8 Technology Boulevard
 Canastota, NY 13032, USA
 Phone: 315-697-JUMO
 1-800-554-JUMO
 Fax: 315-697-5867
 e-mail: info@jumo.us
 Internet: www.jumo.us



Connection diagram

Machine connector M 12x1, 4-pin
 as per IEC 60947-5-2



Electrical connection	Connection assignment
Basic type 902930/50 and 902930/60 RTD temperature probe in 3-wire circuit (input)	

For a safe, interference free device operation, only connect shielded measuring inserts with shielded cables and connected shielding on both sides (shielding connected to sheath and to machine connector M 12).

Setup program

The setup program serves to configure probes and receivers by means of a PC. The configuration data can be archived on data carriers and printed.

Configurable parameters are:

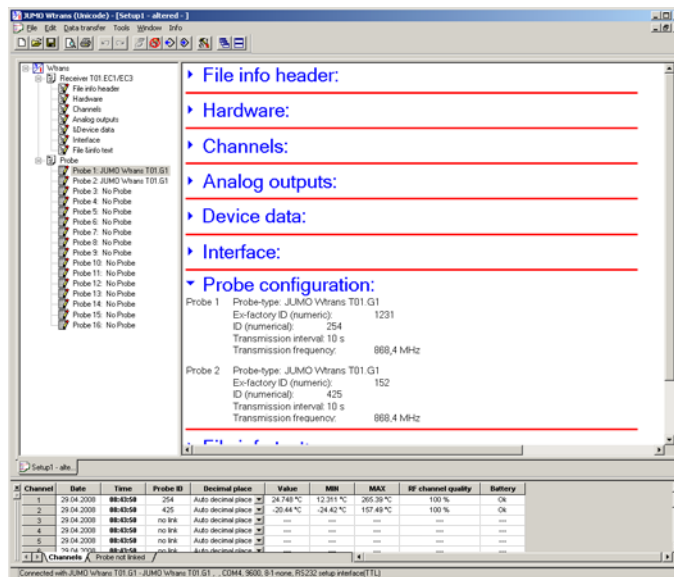
- Probe ID
- Transmission interval
- Transmission frequency (with 915 MHz only)

The factory settings are:

- Probe ID consecutively
- Transmission interval
- Transmission frequency (868.4 MHz or 915.4 MHz)

The setup program can be used to overwrite changed parameters with the factory settings at any time.

The connection between probe and PC is established via a PC interface (USB/TTL or TTL/RS232 converter).



JUMO GmbH & Co. KG
 Delivery address: Mackenrodtstraße 14,
 36039 Fulda, Germany
 Postal address: 36035 Fulda, Germany
 Phone: +49 661 6003-0
 Fax: +49 661 6003-607
 e-mail: mail@jumo.net
 Internet: www.jumo.net

JUMO Instrument Co. Ltd.
 JUMO House
 Temple Bank, Riverway
 Harlow, Essex CM20 2DY, UK
 Phone: +44 1279 635533
 Fax: +44 1279 635262
 e-mail: sales@jumo.co.uk
 Internet: www.jumo.co.uk

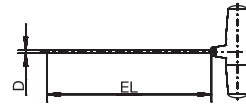
JUMO Process Control, Inc.
 8 Technology Boulevard
 Canastota, NY 13032, USA
 Phone: 315-697-JUMO
 1-800-554-JUMO
 Fax: 315-697-5867
 e-mail: info@jumo.us
 Internet: www.jumo.us



Order details: JUMO Wtrans probe T01.G1 Insertion RTD temperature probe

(1) Basic type

902930/10	Wtrans probe T01.G1 Insertion RTD temperature probe Ambient temperature, handle: -30 to +85 °C
-----------	--



x	596	(2) Operating temperature in °C -30 to +260 °C
x	1006	(3) Measuring insert 1x Pt 1000 in 3-wire-circuit
x	2	(4) Tolerance class as per DIN EN 60751 Class A
x	2.5	(5) Sheath diameter D in mm stepped from Ø 4 mm to Ø 2.5 mm (particularly quick responding), available with flat or concentric probe tip
x	4	Ø 4 mm
x	4.5	Ø 4.5 mm
x	6	Ø 6 mm
x	100	(6) Fitting length EL in mm (EL 50 to 1000) 100 mm
x	150	150 mm
x	200	200 mm
x	...	Please specify in plain text (50 mm steps)
x	1	(7) Insertion tip Flat
x	2	Concentric, angled at 25°
x	3	Oblique, angled at 45°
x	10	(8) Transmission frequency ISM band 868.4 MHz (Europe)
x	20	915 MHz (America, Australia, Canada and New Zealand)
x	000	(9) Process connection None
x	103	Screw connection G 3/8
x	104	Screw connection G 1/2
x	253	Tube screw connection G 3/8 (for sheath diameter 6 mm only)
x	254	Tube screw connection G 1/2 (for sheath diameter 6 mm only)
x	255	Tube screw connection G 3/4 (for sheath diameter 6 mm only)
x	263	Tube screw connection M 10x1 (for sheath diameter 6 mm only)
x	291	Tube screw connection 1/2-14NPT (for sheath diameter 6 mm only)
x	662	Sheet steel flange (for sheath diameter 6 mm only)
x	000	(10) Extra codes None
x	778	Customer-specific transmission interval, factory setting 10 s (specification in plain text between 1 to 3600 s)

Order code	(1)	(2)	(3)	(4)	(5)	(6)	(7)	(8)	(9)	(10)									
Order example	902930/10	-	596	-	1006	-	2	-	4	-	100	-	2	-	10	-	000	/	000

JUMO GmbH & Co. KG
 Delivery address: Mackenrodtstraße 14,
 36039 Fulda, Germany
 Postal address: 36035 Fulda, Germany
 Phone: +49 661 6003-0
 Fax: +49 661 6003-607
 e-mail: mail@jumo.net
 Internet: www.jumo.net

JUMO Instrument Co. Ltd.
 JUMO House
 Temple Bank, Riverway
 Harlow, Essex CM20 2DY, UK
 Phone: +44 1279 635533
 Fax: +44 1279 635262
 e-mail: sales@jumo.co.uk
 Internet: www.jumo.co.uk

JUMO Process Control, Inc.
 8 Technology Boulevard
 Canastota, NY 13032, USA
 Phone: 315-697-JUMO
 1-800-554-JUMO
 Fax: 315-697-5867
 e-mail: info@jumo.us
 Internet: www.jumo.us



Scope of delivery

- 1 device in the version ordered
- 1 preset lithium battery 3.6 V, 2.2 Ah (ambient temperature: -30 to +85 °C)
- 4 colour rings made of silicone (white, green, red, blue) for visual probe identification
- 1 operating instructions B 90.2930.0

Accessories

	Part No.
Setup program on CD-ROM, multilingual	70/00488887
Preset lithium battery 3.6 V, 2.2 Ah (ambient temperature: -30 to +85 °C)	90/00525539
Case sealing set with axial gaskets made of EPDM (ethylene propylene diene rubber) (content: 3 gaskets, white) and radial O-ring seals made of FPM (fluororubber) (content: 3 seals, black)	90/00532794
Color rings made of silicone (white, green, red, blue) for visual probe identification	90/00489047
Color cap set made of PEI (Polyetherimid) (content 10 caps, gray) for visual probe identification	90/00525950
Color cap set made of PEI (Polyetherimid) (content 10 caps, brown) for visual probe identification	90/00525951
Color cap set made of PEI (Polyetherimid) (content 10 caps, green) for visual probe identification	90/00525952
Color cap set made of PEI (Polyetherimid) (content 10 caps, blue) for visual probe identification	90/00525953
PC interface with USB/TTL converter, adapter (socket connector) and adapter (pins)	70/00456352
PC interface with TTL/RS232 converter and adapter (socket connector)	70/00350260
Wall holder for Wtrans probe with sheath diameter 4 mm	90/00503317
Wall holder for Wtrans probe with sheath diameter 4.5 mm	90/00503326
Wall holder for Wtrans probe with sheath diameter 6 mm	90/00503328
Wall holder for Wtrans probe with sheath diameter 12 mm	90/00503329

Stock version

(1)	(2)	(3)	(4)	(5)	(6)	(7)	(8)	(9)	(10)	Part No.									
902930/10	-	596	-	1006	-	2	-	4	-	100	-	2	-	10	-	000	/	000	90/00493668

JUMO GmbH & Co. KG
 Delivery address: Mackenrodtstraße 14,
 36039 Fulda, Germany
 Postal address: 36035 Fulda, Germany
 Phone: +49 661 6003-0
 Fax: +49 661 6003-607
 e-mail: mail@jumo.net
 Internet: www.jumo.net

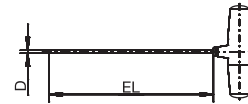
JUMO Instrument Co. Ltd.
 JUMO House
 Temple Bank, Riverway
 Harlow, Essex CM20 2DY, UK
 Phone: +44 1279 635533
 Fax: +44 1279 635262
 e-mail: sales@jumo.co.uk
 Internet: www.jumo.co.uk

JUMO Process Control, Inc.
 8 Technology Boulevard
 Canastota, NY 13032, USA
 Phone: 315-697-JUMO
 1-800-554-JUMO
 Fax: 315-697-5867
 e-mail: info@jumo.us
 Internet: www.jumo.us



Order details: JUMO Wtrans probe T01.G1 Mineral-insulated RTD temperature probe

	(1) Basic type	Wtrans probe T01.G1 Mineral-insulated RTD temperature probe with flexible sheath Ambient temperature, handle: -30 to +85 °C
	902930/12	
x	(2) Operating temperature in °C	
	415	-50 to +600 °C
x	(3) Measuring insert	
	1006	1x Pt1000 in 3-wire-circuit
x	(4) Tolerance class as per DIN EN 60751	
	2	Class A
x	(5) Sheath diameter D in mm	
	1.9	Ø 1.9 mm
x	3	Ø 3 mm
x	6	Ø 6 mm
x	(6) Fitting length EL in mm (EL 100 to 10000)	
	100	100 mm
x	150	150 mm
x	...	Please specify in plain text (50 mm steps)
x	(7) Insertion tip	
	1	Flat
x	(8) Transmission frequency	
	10	ISM band 868.4 MHz (Europe)
x	20	915 MHz (America, Australia, Canada and New Zealand)
x	(9) Process connection	
	000	None
x	252	Tube screw connection G 1/4 (for sheath diameter 6 mm only)
x	253	Tube screw connection G 3/8 (for sheath diameter 6 mm only)
x	254	Tube screw connection G 1/2 (for sheath diameter 6 mm only)
x	255	Tube screw connection G 3/4 (for sheath diameter 6 mm only)
x	261	Tube screw connection M 8x1 (for sheath diameter 3 mm only)
x	263	Tube screw connection M 10x1 (for sheath diameter 6 mm only)
x	291	Tube screw connection 1/2-14NPT (for sheath diameter 6 mm only)
x	662	Sheet steel flange (for sheath diameter 6 mm only)
x	(10) Extra codes	
	000	None
x	778	Customer-specific transmission interval, factory setting 10 s (specification in plain text between 1 to 3600 s)



	(1)	(2)	(3)	(4)	(5)	(6)	(7)	(8)	(9)	(10)
Order code	<input type="text"/>	- <input type="text"/>	- <input type="text"/>	- <input type="text"/>	- <input type="text"/>	- <input type="text"/>	- <input type="text"/>	- <input type="text"/>	- <input type="text"/>	/ <input type="text"/>
Order example	902930/12	- 415	- 1006	- 2	- 3	- 100	- 1	- 10	- 000	/ 000

JUMO GmbH & Co. KG

Delivery address: Mackenrodtstraße 14,
36039 Fulda, Germany
Postal address: 36035 Fulda, Germany
Phone: +49 661 6003-0
Fax: +49 661 6003-607
e-mail: mail@jumo.net
Internet: www.jumo.net

JUMO Instrument Co. Ltd.

JUMO House
Temple Bank, Riverway
Harlow, Essex CM20 2DY, UK
Phone: +44 1279 635533
Fax: +44 1279 635262
e-mail: sales@jumo.co.uk
Internet: www.jumo.co.uk

JUMO Process Control, Inc.

8 Technology Boulevard
Canastota, NY 13032, USA
Phone: 315-697-JUMO
1-800-554-JUMO
Fax: 315-697-5867
e-mail: info@jumo.us
Internet: www.jumo.us



Scope of delivery

1 device in the version ordered
1 preset lithium battery 3.6 V, 2.2 Ah (ambient temperature: -30 to +85 °C)
4 colour rings made of silicone (white, green, red, blue) for visual probe identification
1 operating instructions B 90.2930.0

Accessories

	Part No.
Setup program on CD-ROM, multilingual	70/00488887
Preset lithium battery 3.6 V, 2.2 Ah (ambient temperature: -30 to +85 °C)	90/00525539
Case sealing set with axial gaskets made of EPDM (ethylene propylene diene rubber) (content: 3 gaskets, white) and radial O-ring seals made of FPM (fluororubber) (content: 3 seals, black)	90/00532794
Color rings made of silicone (white, green, red, blue) for visual probe identification	90/00489047
Color cap set made of PEI (Polyetherimid) (content 10 caps, gray) for visual probe identification	90/00525950
Color cap set made of PEI (Polyetherimid) (content 10 caps, brown) for visual probe identification	90/00525951
Color cap set made of PEI (Polyetherimid) (content 10 caps, green) for visual probe identification	90/00525952
Color cap set made of PEI (Polyetherimid) (content 10 caps, blue) for visual probe identification	90/00525953
PC interface with USB/TTL converter, adapter (socket connector) and adapter (pins)	70/00456352
PC interface with TTL/RS232 converter and adapter (socket connector)	70/00350260
Wall holder for Wtrans probe with sheath diameter 4 mm	90/00503317
Wall holder for Wtrans probe with sheath diameter 4.5 mm	90/00503326
Wall holder for Wtrans probe with sheath diameter 6 mm	90/00503328
Wall holder for Wtrans probe with sheath diameter 12 mm	90/00503329

JUMO GmbH & Co. KG
 Delivery address: Mackenrodtstraße 14,
 36039 Fulda, Germany
 Postal address: 36035 Fulda, Germany
 Phone: +49 661 6003-0
 Fax: +49 661 6003-607
 e-mail: mail@jumo.net
 Internet: www.jumo.net

JUMO Instrument Co. Ltd.
 JUMO House
 Temple Bank, Riverway
 Harlow, Essex CM20 2DY, UK
 Phone: +44 1279 635533
 Fax: +44 1279 635262
 e-mail: sales@jumo.co.uk
 Internet: www.jumo.co.uk

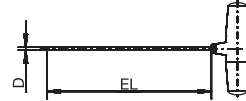
JUMO Process Control, Inc.
 8 Technology Boulevard
 Canastota, NY 13032, USA
 Phone: 315-697-JUMO
 1-800-554-JUMO
 Fax: 315-697-5867
 e-mail: info@jumo.us
 Internet: www.jumo.us



Order details: JUMO Wtrans probe T02.G1 Insertion RTD temperature probe

(1) Basic type

902930/20 Wtrans probe T02.G1
 Insertion RTD temperature probe
 Ambient temperature, handle: -25 to +125 °C



(2) Operating temperature in °C

596 -30 to +260 °C

(3) Measuring insert

1006 1x Pt1000 in 3-wire-circuit

(4) Tolerance class as per DIN EN 60751

2 Class A

(5) Sheath diameter D in mm

2.5 stepped from Ø 4 mm to Ø 2.5 mm (particularly quick responding),
 available with flat or concentric probe tip

4 Ø 4 mm

4.5 Ø 4.5 mm

6 Ø 6 mm

(6) Fitting length EL in mm (EL 50 to 1000)

100 100 mm

150 150 mm

200 200 mm

... Please specify in plain text (50 mm steps)

(7) Insertion tip

1 Flat

2 Concentric, angled at 25°

3 Oblique, angled at 45°

(8) Transmission frequency

10 ISM band 868.4 MHz (Europe)

20 915 MHz (America, Australia, Canada and New Zealand)

(9) Process connection

000 None

103 Screw connection G 3/8

104 Screw connection G 1/2

253 Tube screw connection G 3/8 (for sheath diameter 6 mm only)

254 Tube screw connection G 1/2 (for sheath diameter 6 mm only)

255 Tube screw connection G 3/4 (for sheath diameter 6 mm only)

263 Tube screw connection M 10x1 (for sheath diameter 6 mm only)

291 Tube screw connection 1/2-14NPT (for sheath diameter 6 mm only)

662 Sheet steel flange (for sheath diameter 6 mm only)

(10) Extra codes

000 None

778 Customer-specific transmission interval, factory setting 15 s (specification in plain text between 1 to 3600 s)

	(1)	(2)	(3)	(4)	(5)	(6)	(7)	(8)	(9)	(10)
Order code	<input type="text"/>	- <input type="text"/>	- <input type="text"/>	- <input type="text"/>	- <input type="text"/>	- <input type="text"/>	- <input type="text"/>	- <input type="text"/>	- <input type="text"/>	/ <input type="text"/>
Order example	902930/20	- 596	- 1006	- 2	- 4	- 100	- 2	- 10	- 000	/ 000

JUMO GmbH & Co. KG
 Delivery address: Mackenrodtstraße 14,
 36039 Fulda, Germany
 Postal address: 36035 Fulda, Germany
 Phone: +49 661 6003-0
 Fax: +49 661 6003-607
 e-mail: mail@jumo.net
 Internet: www.jumo.net

JUMO Instrument Co. Ltd.
 JUMO House
 Temple Bank, Riverway
 Harlow, Essex CM20 2DY, UK
 Phone: +44 1279 635533
 Fax: +44 1279 635262
 e-mail: sales@jumo.co.uk
 Internet: www.jumo.co.uk

JUMO Process Control, Inc.
 8 Technology Boulevard
 Canastota, NY 13032, USA
 Phone: 315-697-JUMO
 1-800-554-JUMO
 Fax: 315-697-5867
 e-mail: info@jumo.us
 Internet: www.jumo.us



Scope of delivery

- 1 device in the version ordered
- 1 preset lithium battery 3.6 V, 1.7 Ah (ambient temperature: -25 to +125 °C)
- 4 colour rings made of silicone (white, green, red, blue) for visual probe identification
- 1 operating instructions B 90.2930.0

Accessories

	Part No.
Setup program on CD-ROM, multilingual	70/00488887
Preset lithium battery 3.6 V, 1.7 Ah (ambient temperature: -25 to +125 °C)	90/00534690
Case sealing set with axial gaskets made of EPDM (ethylene propylene diene rubber) (content: 3 gaskets, white) and radial O-ring seals made of FPM (fluororubber) (content: 3 seals, black)	90/00532794
Color rings made of silicone (white, green, red, blue) for visual probe identification	90/00489047
Color cap set made of PEI (Polyetherimid) (content 10 caps, gray) for visual probe identification	90/00525950
Color cap set made of PEI (Polyetherimid) (content 10 caps, brown) for visual probe identification	90/00525951
Color cap set made of PEI (Polyetherimid) (content 10 caps, green) for visual probe identification	90/00525952
Color cap set made of PEI (Polyetherimid) (content 10 caps, blue) for visual probe identification	90/00525953
PC interface with USB/TTL converter, adapter (socket connector) and adapter (pins)	70/00456352
PC interface with TTL/RS232 converter and adapter (socket connector)	70/00350260
Wall holder for Wtrans probe with sheath diameter 4 mm	90/00503317
Wall holder for Wtrans probe with sheath diameter 4.5 mm	90/00503326
Wall holder for Wtrans probe with sheath diameter 6 mm	90/00503328
Wall holder for Wtrans probe with sheath diameter 12 mm	90/00503329

Stock version

(1)	(2)	(3)	(4)	(5)	(6)	(7)	(8)	(9)	(10)	Part No.									
902930/20	-	596	-	1006	-	2	-	4	-	100	-	2	-	10	-	000	/	000	90/00537803

JUMO GmbH & Co. KG
 Delivery address: Mackenrodtstraße 14,
 36039 Fulda, Germany
 Postal address: 36035 Fulda, Germany
 Phone: +49 661 6003-0
 Fax: +49 661 6003-607
 e-mail: mail@jumo.net
 Internet: www.jumo.net

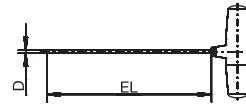
JUMO Instrument Co. Ltd.
 JUMO House
 Temple Bank, Riverway
 Harlow, Essex CM20 2DY, UK
 Phone: +44 1279 635533
 Fax: +44 1279 635262
 e-mail: sales@jumo.co.uk
 Internet: www.jumo.co.uk

JUMO Process Control, Inc.
 8 Technology Boulevard
 Canastota, NY 13032, USA
 Phone: 315-697-JUMO
 1-800-554-JUMO
 Fax: 315-697-5867
 e-mail: info@jumo.us
 Internet: www.jumo.us



Order details: JUMO Wtrans probe T02.G1 Mineral-insulated RTD temperature probe

	(1) Basic type	Wtrans probe T02.G1 Mineral-insulated RTD temperature probe with flexible sheath Ambient temperature, handle: -25 to +125 °C
	902930/22	
x	(2) Operating temperature in °C	
x	415	-50 to +600 °C
x	(3) Measuring insert	
x	1006	1x Pt1000 in 3-wire-circuit
x	(4) Tolerance class as per DIN EN 60751	
x	2	Class A
x	(5) Sheath diameter D in mm	
x	1.9	Ø 1.9 mm
x	3	Ø 3 mm
x	6	Ø 6 mm
x	(6) Fitting length EL in mm (EL 100 to 10000)	
x	100	100 mm
x	150	150 mm
x	...	Please specify in plain text (50 mm steps)
x	(7) Insertion tip	
x	1	Flat
x	(8) Transmission frequency	
x	10	ISM band 868.4 MHz (Europe)
x	20	915 MHz (America, Australia, Canada and New Zealand)
x	(9) Process connection	
x	000	None
x	252	Tube screw connection G 1/4 (for sheath diameter 6 mm only)
x	253	Tube screw connection G 3/8 (for sheath diameter 6 mm only)
x	254	Tube screw connection G 1/2 (for sheath diameter 6 mm only)
x	255	Tube screw connection G 3/4 (for sheath diameter 6 mm only)
x	261	Tube screw connection M 8x1 (for sheath diameter 3 mm only)
x	263	Tube screw connection M 10x1 (for sheath diameter 6 mm only)
x	291	Tube screw connection 1/2-14NPT (for sheath diameter 6 mm only)
x	662	Sheet steel flange (for sheath diameter 6 mm only)
x	(10) Extra codes	
x	000	None
x	778	Customer-specific transmission interval, factory setting 15 s (specification in plain text between 1 to 3600 s)



	(1)	(2)	(3)	(4)	(5)	(6)	(7)	(8)	(9)	(10)
Order code	<input type="text"/>	- <input type="text"/>	- <input type="text"/>	- <input type="text"/>	- <input type="text"/>	- <input type="text"/>	- <input type="text"/>	- <input type="text"/>	- <input type="text"/>	/ <input type="text"/>
Order example	902930/22	- 415	- 1006	- 2	- 3	- 100	- 1	- 10	- 000	/ 000

JUMO GmbH & Co. KG

Delivery address: Mackenrodtstraße 14,
36039 Fulda, Germany
Postal address: 36035 Fulda, Germany
Phone: +49 661 6003-0
Fax: +49 661 6003-607
e-mail: mail@jumo.net
Internet: www.jumo.net

JUMO Instrument Co. Ltd.

JUMO House
Temple Bank, Riverway
Harlow, Essex CM20 2DY, UK
Phone: +44 1279 635533
Fax: +44 1279 635262
e-mail: sales@jumo.co.uk
Internet: www.jumo.co.uk

JUMO Process Control, Inc.

8 Technology Boulevard
Canastota, NY 13032, USA
Phone: 315-697-JUMO
1-800-554-JUMO
Fax: 315-697-5867
e-mail: info@jumo.us
Internet: www.jumo.us



Scope of delivery

- 1 device in the version ordered
- 1 preset lithium battery 3.6 V, 1.7 Ah (ambient temperature: -25 to +125 °C)
- 4 colour rings made of silicone (white, green, red, blue) for visual probe identification
- 1 operating instructions B 90.2930.0

Accessories

	Part No.
Setup program on CD-ROM, multilingual	70/00488887
Preset lithium battery 3.6 V, 1.7 Ah (ambient temperature: -25 to +125 °C)	90/00534690
Case sealing set with axial gaskets made of EPDM (ethylene propylene diene rubber) (content: 3 gaskets, white) and radial O-ring seals made of FPM (fluororubber) (content: 3 seals, black)	90/00532794
Color rings made of silicone (white, green, red, blue) for visual probe identification	90/00489047
Color cap set made of PEI (Polyetherimid) (content 10 caps, gray) for visual probe identification	90/00525950
Color cap set made of PEI (Polyetherimid) (content 10 caps, brown) for visual probe identification	90/00525951
Color cap set made of PEI (Polyetherimid) (content 10 caps, green) for visual probe identification	90/00525952
Color cap set made of PEI (Polyetherimid) (content 10 caps, blue) for visual probe identification	90/00525953
PC interface with USB/TTL converter, adapter (socket connector) and adapter (pins)	70/00456352
PC interface with TTL/RS232 converter and adapter (socket connector)	70/00350260
Wall holder for Wtrans probe with sheath diameter 4 mm	90/00503317
Wall holder for Wtrans probe with sheath diameter 4.5 mm	90/00503326
Wall holder for Wtrans probe with sheath diameter 6 mm	90/00503328
Wall holder for Wtrans probe with sheath diameter 12 mm	90/00503329

JUMO GmbH & Co. KG
 Delivery address: Mackenrodtstraße 14,
 36039 Fulda, Germany
 Postal address: 36035 Fulda, Germany
 Phone: +49 661 6003-0
 Fax: +49 661 6003-607
 e-mail: mail@jumo.net
 Internet: www.jumo.net

JUMO Instrument Co. Ltd.
 JUMO House
 Temple Bank, Riverway
 Harlow, Essex CM20 2DY, UK
 Phone: +44 1279 635533
 Fax: +44 1279 635262
 e-mail: sales@jumo.co.uk
 Internet: www.jumo.co.uk

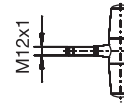
JUMO Process Control, Inc.
 8 Technology Boulevard
 Canastota, NY 13032, USA
 Phone: 315-697-JUMO
 1-800-554-JUMO
 Fax: 315-697-5867
 e-mail: info@jumo.us
 Internet: www.jumo.us



Order details: JUMO Wtrans probe T01.G2 with M 12 connector

(1) Basic type

902930/50 Wtrans probe T01.G2
 with M 12 connector
 for RTD temperature probe
 Ambient temperature, handle: -30 to +85 °C



- x (2) **Operating temperature in °C**
150 -200 to +600 °C
- x (3) **Measuring input**
1006 1x Pt1000 in 3-wire-circuit
- x (4) **Tolerance class as per DIN EN 60751**
0 none (not relevant)
- x (5) **Sheath diameter D in mm**
0 none (not relevant)
- x (6) **Fitting length EL in mm**
000 none (not relevant)
- x (7) **Insertion tip**
0 none (not relevant)
- x (8) **Transmission frequency**
10 ISM band 868.4 MHz (Europe)
20 915 MHz (America, Australia, Canada and New Zealand)
- x (9) **Process connection**
000 none (not relevant)
- x (10) **Extra codes**
000 None
778 Customer-specific transmission interval, factory setting 10 s (specification in plain text between 1 to 3600 s)

	(1)	(2)	(3)	(4)	(5)	(6)	(7)	(8)	(9)	(10)									
Order code	<input type="text" value="902930/50"/>	-	<input type="text" value="150"/>	-	<input type="text" value="1006"/>	-	<input type="text" value="0"/>	-	<input type="text" value="0"/>	-	<input type="text" value="000"/>	-	<input type="text" value="0"/>	-	<input type="text" value="10"/>	-	<input type="text" value="000"/>	/	<input type="text" value="000"/>
Order example	902930/50	-	150	-	1006	-	0	-	0	-	000	-	0	-	10	-	000	/	000

JUMO GmbH & Co. KG
 Delivery address: Mackenrodtstraße 14,
 36039 Fulda, Germany
 Postal address: 36035 Fulda, Germany
 Phone: +49 661 6003-0
 Fax: +49 661 6003-607
 e-mail: mail@jumo.net
 Internet: www.jumo.net

JUMO Instrument Co. Ltd.
 JUMO House
 Temple Bank, Riverway
 Harlow, Essex CM20 2DY, UK
 Phone: +44 1279 635533
 Fax: +44 1279 635262
 e-mail: sales@jumo.co.uk
 Internet: www.jumo.co.uk

JUMO Process Control, Inc.
 8 Technology Boulevard
 Canastota, NY 13032, USA
 Phone: 315-697-JUMO
 1-800-554-JUMO
 Fax: 315-697-5867
 e-mail: info@jumo.us
 Internet: www.jumo.us



Scope of delivery

- 1 device in the version ordered
- 1 preset lithium battery 3.6 V, 2.2 Ah (ambient temperature: -30 to +85 °C)
- 4 colour rings made of silicone (white, green, red, blue) for visual probe identification
- 1 operating instructions B 90.2930.0

Accessories

	Part No.
Setup program on CD-ROM, multilingual	70/00488887
Preset lithium battery 3.6 V, 2.2 Ah (ambient temperature: -30 to +85 °C)	90/00525539
Case sealing set with axial gaskets made of EPDM (ethylene propylene diene rubber) (content: 3 gaskets, white) and radial O-ring seals made of FPM (fluororubber) (content: 3 seals, black)	90/00532794
Color rings made of silicone (white, green, red, blue) for visual probe identification	90/00489047
Color cap set made of PEI (Polyetherimid) (content 10 caps, gray) for visual probe identification	90/00525950
Color cap set made of PEI (Polyetherimid) (content 10 caps, brown) for visual probe identification	90/00525951
Color cap set made of PEI (Polyetherimid) (content 10 caps, green) for visual probe identification	90/00525952
Color cap set made of PEI (Polyetherimid) (content 10 caps, blue) for visual probe identification	90/00525953
PC interface with USB/TTL converter, adapter (socket connector) and adapter (pins)	70/00456352
PC interface with TTL/RS232 converter and adapter (socket connector)	70/00350260
Wall holder for Wtrans probe with sheath diameter 4 mm	90/00503317
Wall holder for Wtrans probe with sheath diameter 4.5 mm	90/00503326
Wall holder for Wtrans probe with sheath diameter 6 mm	90/00503328
Wall holder for Wtrans probe with sheath diameter 12 mm	90/00503329
Machine connector M 12x1, 4-pin as per IEC 60947-5-2	90/00506319
Push-in RTD temperature probe with Pt1000 temperature probe and machine connector M 12x1	
902150/30-386-1006-2-6-100-80-2500/315, 317	90/00514417
Sheath diameter 6 mm, fitting length 100 mm, connection cable length 2500 mm	
902150/30-386-1006-2-6-200-80-2500/315, 317	90/00514440
Sheath diameter 6 mm, fitting length 200 mm, connection cable length 2500 mm	
Note: For pipe screw connections and flanges refer to data sheet 90.9750 (90.9725)	

Stock version

(1)	(2)	(3)	(4)	(5)	(6)	(7)	(8)	(9)	(10)	Part No.
902930/50	- 150	- 1006	- 0	- 0	- 000	- 0	- 10	- 000	/ 000	90/00506791

JUMO GmbH & Co. KG
 Delivery address: Mackenrodtstraße 14,
 36039 Fulda, Germany
 Postal address: 36035 Fulda, Germany
 Phone: +49 661 6003-0
 Fax: +49 661 6003-607
 e-mail: mail@jumo.net
 Internet: www.jumo.net

JUMO Instrument Co. Ltd.
 JUMO House
 Temple Bank, Riverway
 Harlow, Essex CM20 2DY, UK
 Phone: +44 1279 635533
 Fax: +44 1279 635262
 e-mail: sales@jumo.co.uk
 Internet: www.jumo.co.uk

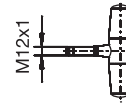
JUMO Process Control, Inc.
 8 Technology Boulevard
 Canastota, NY 13032, USA
 Phone: 315-697-JUMO
 1-800-554-JUMO
 Fax: 315-697-5867
 e-mail: info@jumo.us
 Internet: www.jumo.us



Order details: JUMO Wtrans probe T02.G2 with M 12 connector

(1) Basic type

902930/60 Wtrans probe T02.G2
 with M 12 connector
 for RTD temperature probe
 Ambient temperature, handle: -25 to +125 °C



- x (2) **Operating temperature in °C**
150 -200 to +600 °C
- x (3) **Measuring input**
1006 1x Pt1000 in 3-wire-circuit
- x (4) **Tolerance class as per DIN EN 60751**
0 none (not relevant)
- x (5) **Sheath diameter D in mm**
0 none (not relevant)
- x (6) **Fitting length EL in mm**
000 none (not relevant)
- x (7) **Insertion tip**
0 none (not relevant)
- x (8) **Transmission frequency**
10 ISM band 868.4 MHz (Europe)
20 915 MHz (America, Australia, Canada and New Zealand)
- x (9) **Process connection**
000 none (not relevant)
- x (10) **Extra codes**
000 None
778 Customer-specific transmission interval, factory setting 15 s (specification in plain text between 1 to 3600 s)

	(1)	(2)	(3)	(4)	(5)	(6)	(7)	(8)	(9)	(10)
Order code	<input type="text"/>	- <input type="text"/>	- <input type="text"/>	- <input type="text"/>	- <input type="text"/>	- <input type="text"/>	- <input type="text"/>	- <input type="text"/>	- <input type="text"/>	/ <input type="text"/>
Order example	902930/60	- 150	- 1006	- 0	- 0	- 000	- 0	- 10	- 000	/ 000

JUMO GmbH & Co. KG
 Delivery address: Mackenrodtstraße 14,
 36039 Fulda, Germany
 Postal address: 36035 Fulda, Germany
 Phone: +49 661 6003-0
 Fax: +49 661 6003-607
 e-mail: mail@jumo.net
 Internet: www.jumo.net

JUMO Instrument Co. Ltd.
 JUMO House
 Temple Bank, Riverway
 Harlow, Essex CM20 2DY, UK
 Phone: +44 1279 635533
 Fax: +44 1279 635262
 e-mail: sales@jumo.co.uk
 Internet: www.jumo.co.uk

JUMO Process Control, Inc.
 8 Technology Boulevard
 Canastota, NY 13032, USA
 Phone: 315-697-JUMO
 1-800-554-JUMO
 Fax: 315-697-5867
 e-mail: info@jumo.us
 Internet: www.jumo.us



Scope of delivery

- 1 device in the version ordered
- 1 preset lithium battery 3.6 V, 1.7 Ah (ambient temperature: -25 to +125 °C)
- 4 colour rings made of silicone (white, green, red, blue) for visual probe identification
- 1 operating instructions B 90.2930.0

Accessories

	Part No.
Setup program on CD-ROM, multilingual	70/00488887
Preset lithium battery 3.6 V, 1.7 Ah (ambient temperature: -25 to +125 °C)	90/00534690
Case sealing set with axial gaskets made of EPDM (ethylene propylene diene rubber) (content: 3 gaskets, white) and radial O-ring seals made of FPM (fluororubber) (content: 3 seals, black)	90/00532794
Color rings made of silicone (white, green, red, blue) for visual probe identification	90/00489047
Color cap set made of PEI (Polyetherimid) (content 10 caps, gray) for visual probe identification	90/00525950
Color cap set made of PEI (Polyetherimid) (content 10 caps, brown) for visual probe identification	90/00525951
Color cap set made of PEI (Polyetherimid) (content 10 caps, green) for visual probe identification	90/00525952
Color cap set made of PEI (Polyetherimid) (content 10 caps, blue) for visual probe identification	90/00525953
PC interface with USB/TTL converter, adapter (socket connector) and adapter (pins)	70/00456352
PC interface with TTL/RS232 converter and adapter (socket connector)	70/00350260
Wall holder for Wtrans probe with sheath diameter 4 mm	90/00503317
Wall holder for Wtrans probe with sheath diameter 4.5 mm	90/00503326
Wall holder for Wtrans probe with sheath diameter 6 mm	90/00503328
Wall holder for Wtrans probe with sheath diameter 12 mm	90/00503329
Machine connector M 12x1, 4-pin as per IEC 60947-5-2	90/00506319
Push-in RTD temperature probe with Pt1000 temperature probe and machine connector M 12x1	
902150/30-386-1006-2-6-100-80-2500/315, 317	90/00514417
Sheath diameter 6 mm, fitting length 100 mm, connection cable length 2500 mm	
902150/30-386-1006-2-6-200-80-2500/315, 317	90/00514440
Sheath diameter 6 mm, fitting length 200 mm, connection cable length 2500 mm	
Note: For pipe screw connections and flanges refer to data sheet 90.9750 (90.9725)	

Stock version

(1)	(2)	(3)	(4)	(5)	(6)	(7)	(8)	(9)	(10)	Part No.
902930/60	- 150	- 1006	- 0	- 0	- 000	- 0	- 10	- 000	/ 000	90/00537805